



TITAN FLOW CONTROL, INC.

## "Y" (WYE) STRAINER ♦ FLANGED ENDS, RAISED FACE

### ANSI CLASS 150 ♦ CARBON AND STAINLESS STEEL

#### NEWLY DESIGNED... Gauge Taps

STANDARD ON ALL  
YS 61 MODELS IN  
SIZES 2" ~ 24"

MODELS: YS 61-CS

(CARBON STEEL)

YS 61-SS

(STAINLESS STEEL)



5" YS 61-SS

## FEATURES

SIZE RANGE: 1/2" ~ 24"

#### ◆ NEW DESIGN WITH GAUGE TAPS

TITAN'S YS61 HAS CONVENIENT GAUGE TAPS FURNISHED WITH A PLUG ON BOTH THE INLET AND OUTLET SIDES OF SIZES 2" THROUGH 24". THESE TAPS ALLOW FOR EASY INSTALLATION OF PRESSURE GAUGES TO MONITOR DIFFERENTIAL PRESSURE AND DETERMINE WHEN SCREEN CLEANING IS NECESSARY.

#### ◆ LARGE STRAINING CAPACITY

WITH ITS LARGE BODY AND SIZABLE STRAINING ELEMENT, THE YS61 PROVIDES EXCELLENT OPEN AREA RATIOS THAT ARE TYPICALLY TWO-AND-A-HALF TIMES LARGER THAN THE CORRESPONDING PIPELINE.

#### ◆ PRECISION MACHINED SEATS

PRECISION MACHINED SCREEN SEATS IN BOTH THE BODY AND CAP HELP TO ENSURE ACCURATE POSITIONING OF THE SCREEN DURING REASSEMBLY AFTER CLEANING. ALSO, THE MACHINED BODY SEATS ENABLE FINER FILTRATION BY PREVENTING DEBRIS BYPASS.

#### ◆ SELF-CLEANING CAPABILITY

WITH A TAPPED NPT BLOW-OFF CONNECTION, THIS UNIT CAN BE FITTED WITH A BLOW-DOWN VALVE WHICH FACILITATES CLEANING OF THE STRAINING ELEMENT. PLEASE CONTACT FACTORY FOR MORE INFORMATION.

#### ◆ EPOXY PAINTED

CARBON STEEL UNITS ARE EPOXY PAINTED TO HELP RESIST RUST AND CORROSION. TITAN FCI ALSO OFFERS EPOXY COATING AS AN OPTION FOR THE YS61.

#### ◆ OPTIONAL COVER DESIGNS

TITAN'S YS61 IS AVAILABLE WITH DIFFERENT COVER OPTIONS INCLUDING SWING, CLAMP, AND HINGE TYPE COVERS. PLEASE CONSULT FACTORY FOR MORE INFORMATION ON THESE OPTIONS.

## TECHNICAL

PRESSURE/TEMPERATURE RATING  
CS - ASTM A216 GR. WCB - CLASS 150

WOG (Non-shock): 285 PSI @ 100 °F

PRESSURE/TEMPERATURE RATING  
SS - ASTM A351 GR. CF8M - CLASS 150

WOG (Non-shock): 275 PSI @ 100 °F

- The above listed temperatures are theoretical and may vary during actual operating conditions.
- Carbon Steel not recommended for prolonged use above 800 °F.
- Stainless Steel not recommended for prolonged use above 1000 °F.

## APPLICATIONS

**CARBON STEEL PROPERTIES:** CARBON STEEL PERFORMS EXCEPTIONALLY WELL IN HIGH TEMPERATURES, UP TO 800°F IN CONTINUOUS SERVICE. IT PROVIDES HIGH RESISTANCE TO SHOCK, VIBRATION, PIPING STRAINS, AND FIRE AND FREEZING HAZARDS. CARBON STEEL STRAINERS ARE OFTEN USED IN THE OIL AND PETROCHEMICAL INDUSTRIES.

**STAINLESS STEEL PROPERTIES:** STAINLESS STEEL IS COMMONLY SPECIFIED FOR HIGH TEMPERATURE SERVICE, UP TO 1000°F IN CONTINUOUS SERVICE. STAINLESS STEEL STRAINERS ARE COMMONLY FOUND IN THE CHEMICAL, FOOD, AND PHARMACEUTICAL INDUSTRIES.

*The above data represents common market and service applications. No representation or guarantee, expressed or implied, is given due to the numerous variations of concentrations, temperatures and flow conditions that may occur during actual service.*

## TITAN FLOW CONTROL, INC.

YOUR PIPELINE TO THE FUTURE!

Tel: 910-735-0000 ♦ Fax: 910-738-3848 ♦ titan@titanfci.com ♦ www.titanfci.com  
290 Corporate Drive ♦ PO Box 7408 ♦ Lumberton, NC 28358



**TITAN FLOW CONTROL, Inc.**

290 Corporate Drive  
Lumberton, NC 28358  
Tel: 910.735.0000

E-mail: titan@titanfci.com  
Web: www.titanfci.com  
Fax: 910.738.3848

**WYE STRAINER**

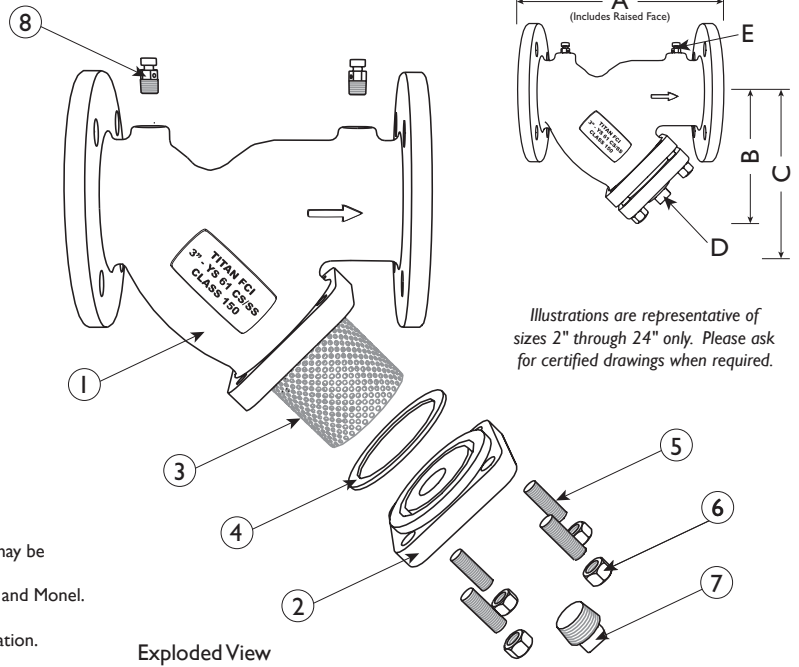
**YS 61-CS - (Carbon Steel)**  
**YS 61-SS - (Stainless Steel)**

**Flanged Ends • Raised Face • Carbon & Stainless Steel**

**ANSI Class 150**

**BILL OF MATERIALS <sup>(1)</sup>**

No.	PART	YS 61-CS <sup>(6)</sup>	YS 61-SS
1	Body <sup>(2)</sup>	Carbon Steel A216 Gr. WCB	Stainless Steel A351 Gr. CF8M
2	Cover	Carbon Steel A216 Gr. WCB	Stainless Steel A351 Gr. CF8M
3	Straining Element <sup>(3)</sup>	Stainless Steel	Stainless Steel
4	Gasket <sup>(3) (4)</sup>	Stainless Steel Spiral Wound	Stainless Steel Spiral Wound
5	Studs	Alloy Steel	Stainless Steel
6	Nuts	Alloy Steel	Stainless Steel
7	NPT Plug Blow-off	Carbon Steel	Stainless Steel
8	NPT Plug Gauge Taps <sup>(5)</sup>	Carbon Steel	Stainless Steel



- Bill of Materials represents standard materials. Equivalent or better materials may be substituted at the manufacturer's discretion.
- Available in additional body materials, such as LCB, WC6, WC9, 316L, Alloy 20, and Monel.
- Denotes recommended spare parts.
- A wide range of gasket materials are available; contact factory for more information.
- Part number 8 (NPT Plug - Gauge Taps) only applies to sizes 2" through 24".
- Carbon Steel bodies are epoxy painted.

**DIMENSIONS AND PERFORMANCE DATA <sup>(1)</sup>**

SIZE		in	1/2	3/4	1	1 1/4	1 1/2	2	2 1/2	3	4	5	6	8	10	12	14	16	18	20	24
		mm	15	20	25	32	40	50	65	80	100	125	150	200	250	300	350	400	450	500	600
<b>A DIMENSION</b> FACETO FACE <sup>(2)</sup>	in	6.50	7.37	7.37	7.00	7.12	7.87	9.75	10.06	12.12	15.62	18.50	21.37	26.00	29.87	36.00	41.75	46.00	49.50	58.37	
	mm	166	188	188	178	181	200	248	256	308	397	470	543	661	759	914	1060	1168	1257	1483	
<b>B DIMENSION</b> CENTER LINE TO BOTTOM	in	3.50	3.75	3.75	4.75	4.75	5.25	6.50	7.00	8.25	11.25	13.50	15.50	18.50	22.25	25.00	26.50	31.00	39.00	45.00	
	mm	89	96	96	121	121	134	166	178	210	286	343	394	470	566	625	673	787	991	1143	
<b>C DIMENSION</b> SCREEN REMOVAL	in	5.00	5.00	5.00	7.00	7.00	7.00	9.75	10.00	12.00	20.00	20.00	22.75	28.00	30.00	36.50	42.00	45.50	56.00	68.00	
	mm	127	127	127	178	178	178	248	254	305	508	508	578	712	762	927	1067	1156	1422	1727	
<b>D NPT Plug</b> BLOW-OFF	in	3/8	1/2	1/2	1/2	1/2	1/2	1	1	1 1/2	2	2	2	2	2	2	2	2	2	2	
	mm	10	15	15	15	15	15	25	25	40	50	50	50	50	50	50	50	50	50	50	
<b>E NPT Plug</b> GAUGE TAPS	in	N/A	N/A	N/A	N/A	N/A	1/4	1/4	1/4	1/4	1/4	1/4	1/4	1/4	1/4	1/4	1/4	1/4	1/4	1/4	
	mm	N/A	N/A	N/A	N/A	N/A	8	8	8	8	8	8	8	8	8	8	8	8	8	8	
ASSEMBLED WEIGHT APPROXIMATE	lb	5.5	10.3	10.3	12.0	12.5	21.0	32.0	35.0	55.0	90.0	140.0	220.0	356.0	644.0	1000	1090	2400	2700	3340	
	kg	2.5	4.6	4.6	5.4	5.7	9.5	14.5	15.9	24.9	40.8	63.5	99.7	161.5	292.1	453.6	494.4	1089	1225	1515	
Flow Coefficient	C <sub>v</sub>	C/F	C/F	C/F	C/F	C/F	42	70	110	160	260	400	570	950	1600	2200	3300	4900	6100	8000	11000

- Dimensions and weights are for reference only. When required, request certified drawings.
- Face to face dimension includes raised face. These values have a tolerance of ±0.06 in (±2.0 mm) for sizes 10" and lower and a tolerance of ±0.12 in (±3.0 mm) for sizes 12" and larger.

**REFERENCED STANDARDS & CODES**

CODE	DESCRIPTION
ASME/ANSI B16.5	Pipe Flanges and Flanged Fittings
ASME/ANSI B16.34	Flanged, Threaded, and Welding End

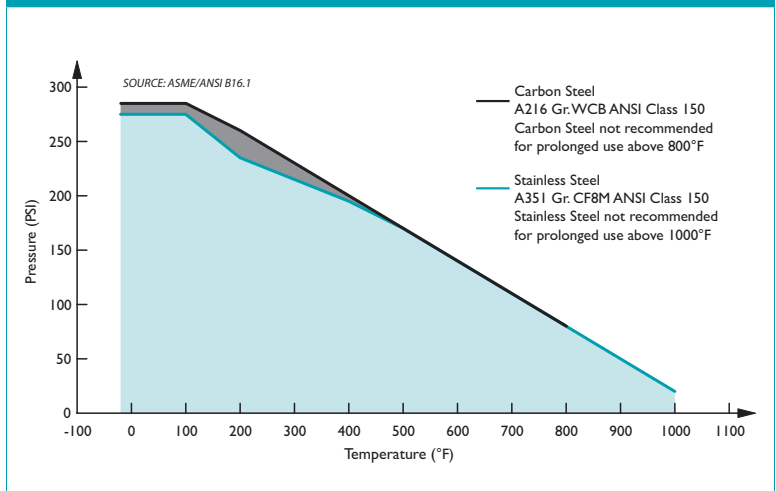
**STANDARD SCREEN SELECTIONS**

Size	Liquid	Open Area	Steam	Open Area
1/2" - 4"	1/16 (.0625)	41%	1/32 (.033)	28%
5" - 8"	1/8 (.125)	40%	3/64 (.045)	36%
10" - 12"	1/8 (.125)	40%	30 Mesh Lined	44.8%

**PRESSURE - TEMPERATURE RATING**

Body Material	A216 Gr. WCB	A351 Gr. CF8M
WOG (Non-shock):	285 PSI @ 100 °F	275 PSI @ 100 °F

**PRESSURE - TEMPERATURE RATINGS**



Titan FCI makes every effort to ensure the information presented on our literature accurately reflects exact product specifications. However, as product changes occur, there may be short-term differences between actual product specifications and the information contained within our literature. Titan FCI reserves the right to make design and specification changes to improve our products without prior notification. When required, request certified drawings.