

# Models: 764-SS-WE, 765M-SS-WE\*, 766M-SS-WE\*, 767-SS-WE

## Cast Stainless Steel Butt Weld End Y Strainers Sizes: 1/2" - 12" (15-300mm)

Pressure / Temperature – Non-Shock		
Model	Material	Rating
764-SS-WE	Stainless Steel	1440psi @ -20°F to 100°F
		99.28 bar @ 37.78°C
		475psi @ 1150°F 32.75 bar @ 621.11°C
765M-SS-WE	Stainless Steel	2160psi @ -20°F to 100°F
		148.93 bar @ 37.78°C
		710psi @ 1150°F 48.95 bar @ 621.11°C
766M-SS-WE	Stainless Steel	3600psi @ -20°F to 100°F
		248.21 bar @ 37.78°C
		1185psi @ 1150°F 81.70 bar @ 621.11°C
767-SS-WE	Stainless Steel	6000psi @ -20°F to 100°F
		413.69 bar @ 37.78°C
		1970psi @ 1150°F 135.83 bar @ 621.11°C

- 764-SS-WE**                      **Class 600**
- 765M-SS-WE**                **Class 900**
- 766M-SS-WE**                **Class 1500**
- 767-SS-WE**                    **Class 2500**



Models 764WE, 765MWE, 766MWE, 767WE

\* 765M and 766M supersede models 765/766. Consult factory.

### Typical Service

- Used extensively to strain foreign matter from pipelines and provide economical protection for costly pumps, meters, valves, and other similar mechanical equipment.
- Especially important where weld debris is likely present in the pipeline.
- Well suited for long service in high pressure and temperature applications.

### Features

- Machined seats in both body and cap align and lock the screen in place to stop sediment bypass.
- Machined seats facilitate alignment and accurate reseating after servicing.

### Construction

- Designed for high pressure and temperature services.
- Heavy gauge reinforced screens are used.

### NOTICE

Class 600 strainers are machined for Schedule 80 Pipe.  
 Class 900 and 1500 strainers are machined for Schedule 160 Pipe.  
 Class 2500 strainers are machined for Schedule XXS Pipe.  
 Please specify on order if other Pipe Schedule is required.

### Self-Cleaning

- Self-cleaning is accomplished by opening the plug or valve connected to the blowoff outlet, if provided.
- Cleaning usually accomplished by shutting off line pressure and disassembling strainer.

### Blowoff Outlets

- Cover flange for 764-SS-WE is furnished with blowoff tapping, not plugged.
- All other covers normally furnished as blind flanges. Socket weld blowoff connection available, specify on order.

### Capacity

- Generously proportioned bodies.
- Open Area much greater than pipe size, ensuring low pressure drop.

### Special Coating and Treatments

Pickling and Passivation available on request. Consult factory.

### Screens

MODEL	SIZES	STANDARD (WATER)		STEAM RECOMENDATION	
		MATERIAL	OPENING	MATERIAL	OPENING
All	1/2" - 4"	304SS	.062 perf	304SS	.033 perf
All	5" & Up	304SS	.125 perf	304SS	.045 perf

Job Name \_\_\_\_\_  
 Job Location \_\_\_\_\_  
 Engineer \_\_\_\_\_  
 Approval \_\_\_\_\_

Contractor \_\_\_\_\_  
 Approval \_\_\_\_\_  
 Contractor's P.O. No. \_\_\_\_\_  
 Representative \_\_\_\_\_

## Material

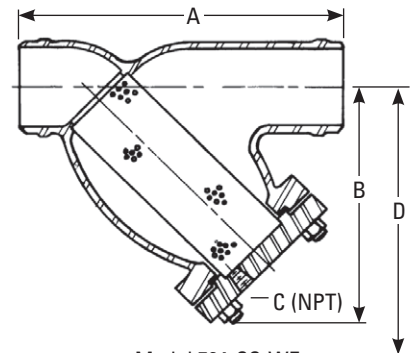
	<b>764-SS-WE, 765M-SS-WE, 766M-SS-WE, 764-SS-WE</b>
Body	Stainless Steel, ASTM A351 Grade CF8M
Cover	Stainless Steel, ASTM A351 Grade CF8M
Gasket	Spiral Wound SS, Graphite Filled

## Pressure Drop

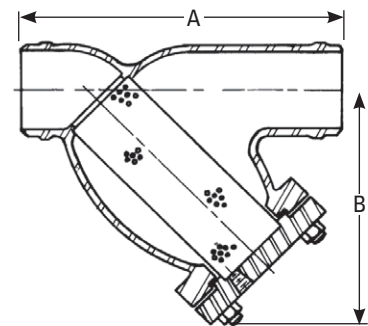
See Pressure Drop Charts in Technical Data Section in Mueller Steam Specialty Engineering binder.

## Dimensions and Weights

SIZE		DIMENSIONS								WEIGHT	
		A		B		C		D			
in.	mm	in.	mm	in.	mm	in.	mm	in.	mm	lbs.	kgs.
<b>764WE</b>											
1/2	15	6 5/8	168	3 1/2	89	3/8	10	5	130	6	2.7
3/4	20	8 5/16	211	3 3/4	95	1/2	15	5	130	12.3	5.5
1	25	8 5/16	211	3 3/4	95	1/2	15	5	130	12.3	5.5
1 1/4	32	10 1/8	257	5 1/2	140	1/2	15	8	203	19	8.6
1 1/2	40	10 1/4	260	5 1/2	140	1/2	15	8	203	27	12
2	50	11	279	7	178	1/2	15	10	254	40	18
2 1/2	65	12	305	8 1/4	210	1	25	12 1/2	318	60	27
3	80	13 1/2	343	9 1/4	235	1 1/4	32	14 1/2	368	78	35
4	100	17 15/16	456	12 1/2	318	1 1/2	40	19 1/2	495	160	72.7
6	150	25 5/8	651	20	508	2	50	31	787	364	165
8	200	31 3/4	806	24	610	2	50	38 1/2	978	670	304
10	250	37 11/16	957	28 1/2	724	2	50	45 1/2	1156	1090	495
12	300	45 1/8	1146	34 1/2	876	2	50	52	1321	1558	708



Model 764-SS-WE



Models 765M-SS-WE,  
766M-SS-WE, 767-SS-WE

SIZE		DIMENSIONS				WEIGHT	
		A		B			
in.	mm	in.	mm	in.	mm	lbs.	kgs.
<b>765MWE</b>							
1/2	15	7 3/8	187	4 1/4	108	20	9
3/4	20	8 3/16	208	4 3/4	121	30	14
1	25	9 11/16	246	5 3/4	146	52	23
1 1/4	32	12	305	6 3/4	171	65	29
1 1/2	40	12	305	6 3/4	171	65	29
2	50	13 15/16	354	7 1/2	191	93	42
2 1/2	65	17 1/2	445	10 3/4	273	185	84
3	80	17 1/2	445	10 3/4	273	185	84
4	100	23 3/8	594	15	381	250	113
6	150	27 7/8	708	18 3/8	479	560	254
8	200	33 3/8	848	23 3/8	606	1000	454

SIZE		DIMENSIONS				WEIGHT	
		A		B			
in.	mm	in.	mm	in.	mm	lbs.	kgs.
<b>766MWE</b>							
1/2	15	7 3/8	187	4 1/4	108	20	9
3/4	20	8 3/16	208	4 3/4	121	30	14
1	25	9 11/16	246	5 3/4	146	52	23
1 1/4	32	12	305	6 3/4	171	65	29
1 1/2	40	12	305	6 3/4	171	65	29
2	50	13 15/16	354	7 1/2	191	93	42
2 1/2	65	17 1/2	445	10 3/4	273	185	84
3	80	17 1/2	445	10 3/4	273	185	84
4	100	23 3/8	594	15	381	334	151
6	150	31	788	20 1/4	521	770	350
8	200	CF	CF	CF	CF	CF	CF
10	250	CF	CF	CF	CF	CF	CF
12	300	CF	CF	CF	CF	CF	CF

SIZE		DIMENSIONS				WEIGHT	
		A		B			
in.	mm	in.	mm	in.	mm	lbs.	kgs.
<b>767WE</b>							
1/2	15	12 5/8	321	7 11/16	195	30	14
3/4	20	12 5/8	321	7 11/16	195	40	18
1	25	12 5/8	321	7 11/16	195	65	30
1 1/4	32	16 7/8	429	10 1/2	267	140	63.3
1 1/2	40	16 7/8	429	10 1/2	267	140	64
2	50	17	432	12 1/2	318	240	109
2 1/2	65	23	584	18 13/16	478	500	227
3	80	23	584	18 13/16	478	560	254
4	100	33 3/8	848	20 1/4	514	850	386
6	150	31	788	20	508	1900	862
8	200	CF	CF	CF	CF	CF	CF
10	250	CF	CF	CF	CF	CF	CF
12	300	CF	CF	CF	CF	CF	CF

Mueller Steam Specialty product specifications in U.S. customary units and metric are approximate and are provided for reference only. For precise measurements, please contact Mueller Steam Specialty Technical Service. Mueller Steam Specialty reserves the right to change or modify product design, construction, specifications, or materials without prior notice and without incurring any obligation to make such changes and modifications on Mueller Steam Specialty products previously or subsequently sold.



A Watts Water Technologies Company

USA: Tel: (800) 334-6259 • Fax: (800) 421-6772 • MuellerSteam.com  
Latin America: Tel: (52) 81-1001-8600 • Fax: (52) 81-8000-7091 • MuellerSteam.com