

FIRE PROTECTION PRODUCTS

The Mueller[®] UL listed and FM approved Check Valves are of the gravity operated, swing check design. These Check Valves are rugged in construction and simple in design.

Mueller Check Valves are designed to permit the removal of all parts through the top of the valve for inspection or replacement without removing the valve from the line.

Mueller Check Valves are bossed on both sides of the body for connecting by-passes and have a drain plug at the bottom under the inlet end for attaching a drain valve. These Check Valves are available with rubber disc facings.



- Cover Bolts and Nuts are electrogalvanized steel to resist corrosion.
- All internal parts can be removed for inspection or repair without removing valve from line.
- Ductile Iron Body is accurately cast and machined to provide long and trouble free service.
- Ductile Iron Cover has a lifting lug.
- Mueller Co. also offers a full line of AWWA Type Check Valves. See Mueller Water Works Catalog for further information.
- Operating parts made of bronze and stainless steel to reduce corrosion.
- Accurately machined Bronze Seat Ring.
- 2" - 12" 350 PSI C.W.P.
- 14" & 16" - 250 PSI C.W.P.

SWING CHECK VALVES



UL / FM

FIRE PROTECTION PRODUCTS



A-2122-6B13 Flange Ends - Rubber Disc Facing and Bronze Seat Ring
2" - 12" 350 psi (2415 kPa/24 barg) Working Pressure - 700 psi (4825 kPa/48 barg) Test Pressure

A-2122-6B1 Flanged Ends - Rubber Disc Facing and Bronze Seat Ring
14" & 16" 250 psi (1724 kPa/17 barg) Working Pressure - 500 psi (3447 kPa/34 barg) Test Pressure

- Listed by Underwriter Laboratories, Inc. and approved by Factory Mutual Research Corporation.
- ANSI B16.1 CL125 Flanges

Parts List

Catalog Parts Numbers	Description	Material	Material Standard
408	Plug (B)	Stainless steel	A276 Type 304
329	O-ring	Rubber (Buna N) or Rubber (EPDM)	D2000 BK 7014 or D2000 CA 7014
324	Cover gasket	Rubber (Buna N) or Rubber (EPDM)	D2000 BK 707 or D2000 CA 707
236	Spring washer	Stainless steel	A276 Type 304
195	Cover stud & nut	Zinc coated steel	F3125 Grade A325 Type 1
188	Disc seat bolt	Stainless steel	A276 Type 304
166	Plug (A)	Stainless steel	A276 Type 304
159	Hinge pin	Stainless steel	A276 Type 304
079	Body bushing	Bronze	B62
078	Disc bushing	Bronze	B62
062	Disc seat ring	Rubber (Buna N) or Rubber (EPDM)	D2000 BK 7014 or D2000 CA 7014
061	Body seat ring	Bronze	B62
024	Seat holder	Ductile iron	A536 Grade 65-45-12
014	Cover	Ductile iron	A536 Grade 65-45-12
003	Disc	Ductile iron	A536 Grade 65-45-12
001	Body	Ductile iron	A536 Grade 65-45-12

Swing Check Valve Weights

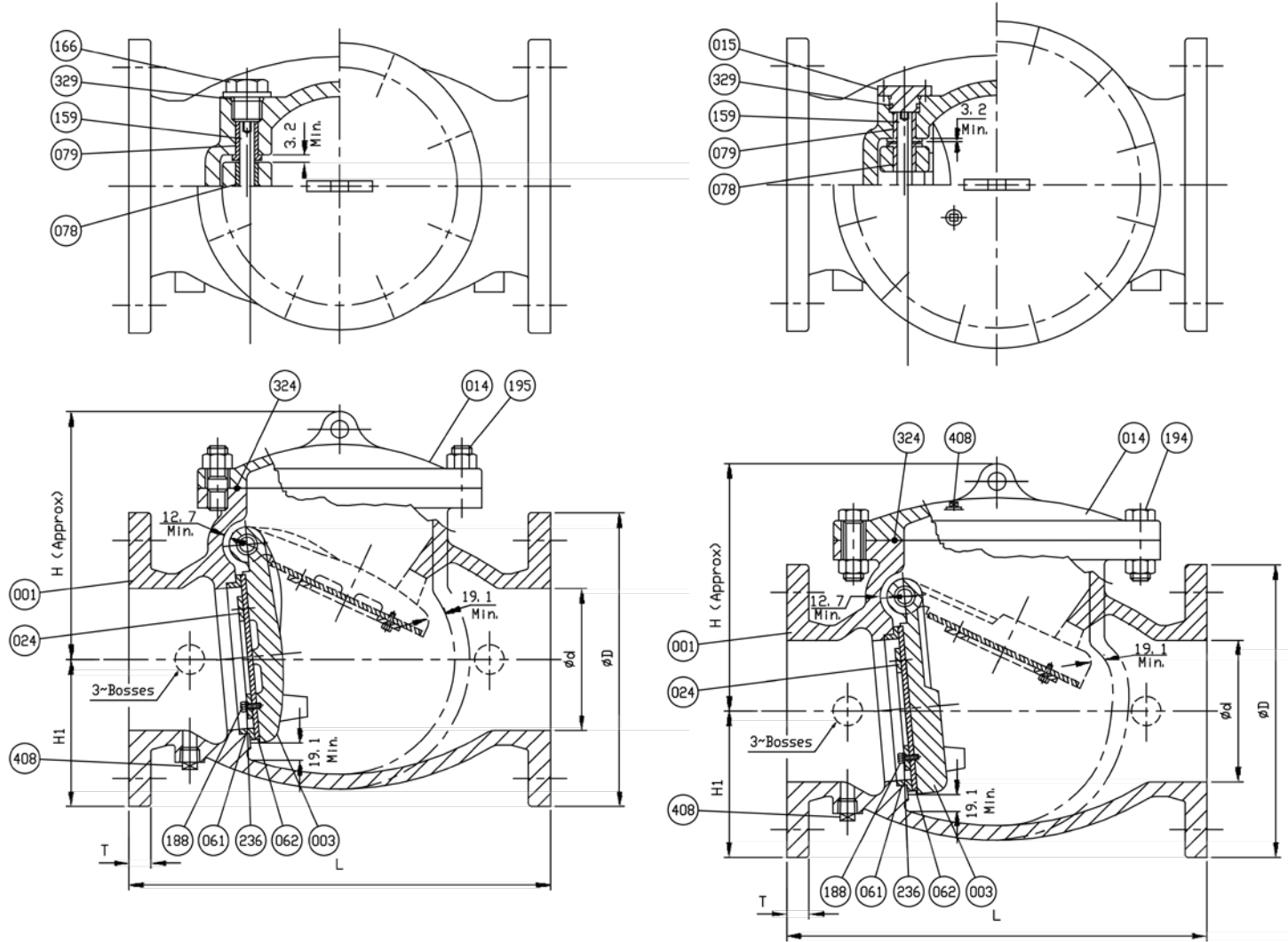
	2"	2-1/2"	3"	4"	6"	8"	10"	12"	14"	16"
lbs.	28	39	50	75	191	272	436	656	962	1294
kg.	12.7	17.7	22.7	34.0	86.6	123.4	197.8	297.6	436.4	586.9

CHECK VALVE ORDERING INFORMATION- Specify: Quantity, Size, and Catalog Number

CHECK VALVE PARTS ORDERING INFORMATION - Specify: Quantity, Catalog Number, Part Name, Size of Valve, Catalog Number of Valve, and Year Date of Valve

2"-12" Dimensions

14"-16" Dimensions



Dimensional Information for Flange End Check Valves

Size	Dimension - inches (mm)																
	L		D		C		h		n		T		H		H1		
2"	(50)	8±1/16	(203)	6	(152)	4-3/4	(120)	3/4	(19)	4	(101)	5/8	(15)	5-15/16	(150)	3	(76)
2-1/2"	(65)	8-1/2±1/16	(216)	7	(177)	5-1/2	(139)	3/4	(19)	4	(101)	11/16	(17)	6-5/16	(160)	3-1/2	(89)
3"	(80)	9-1/2±1/16	(242)	7-1/2	(190)	6	(152)	3/4	(19)	4	(101)	3/4	(19)	7-3/8	(187)	3-3/4	(95)
4"	(100)	11-1/2±1/16	(292)	9	(228)	7-1/2	(190)	3/4	(19)	8	(203)	15/16	(23)	8-1/16	(203)	4-1/2	(114)
6"	(150)	14±1/16	(355)	11	(279)	9-1/2	(241)	7/8	(22)	8	(203)	1	(25)	10-5/8	(269)	5-1/2	(139)
8"	(200)	19-1/2±1/16	(495)	13-1/2	(342)	11-3/4	(298)	7/8	(22)	8	(203)	1-1/8	(28)	12-3/8	(314)	6-3/4	(171)
10"	(250)	24-1/2±1/16	(622)	16	(406)	14-1/4	(361)	1	(25)	12	(304)	1-3/16	(30)	14-11/16	(373)	8	(203)
12"	(300)	27-1/2±1/8	(701)	19	(482)	17	(431)	1	(25)	12	(304)	1-1/4	(31)	17-7/16	(442)	9-1/2	(241)
14"	(350)	31±1/8	(790)	21	(533)	18-3/4	(476)	1-1/8	(28)	12	(304)	1-3/8	(34)	20-15/16	(531)	10-1/2	(266)
16"	(400)	36±1/8	(917)	23-1/2	(596)	21-1/4	(539)	1-1/8	(28)	16	(406)	1-7/16	(36)	23-1/4	(590)	11-3/4	(298)

SECTION
C-1

Rev. 12-15

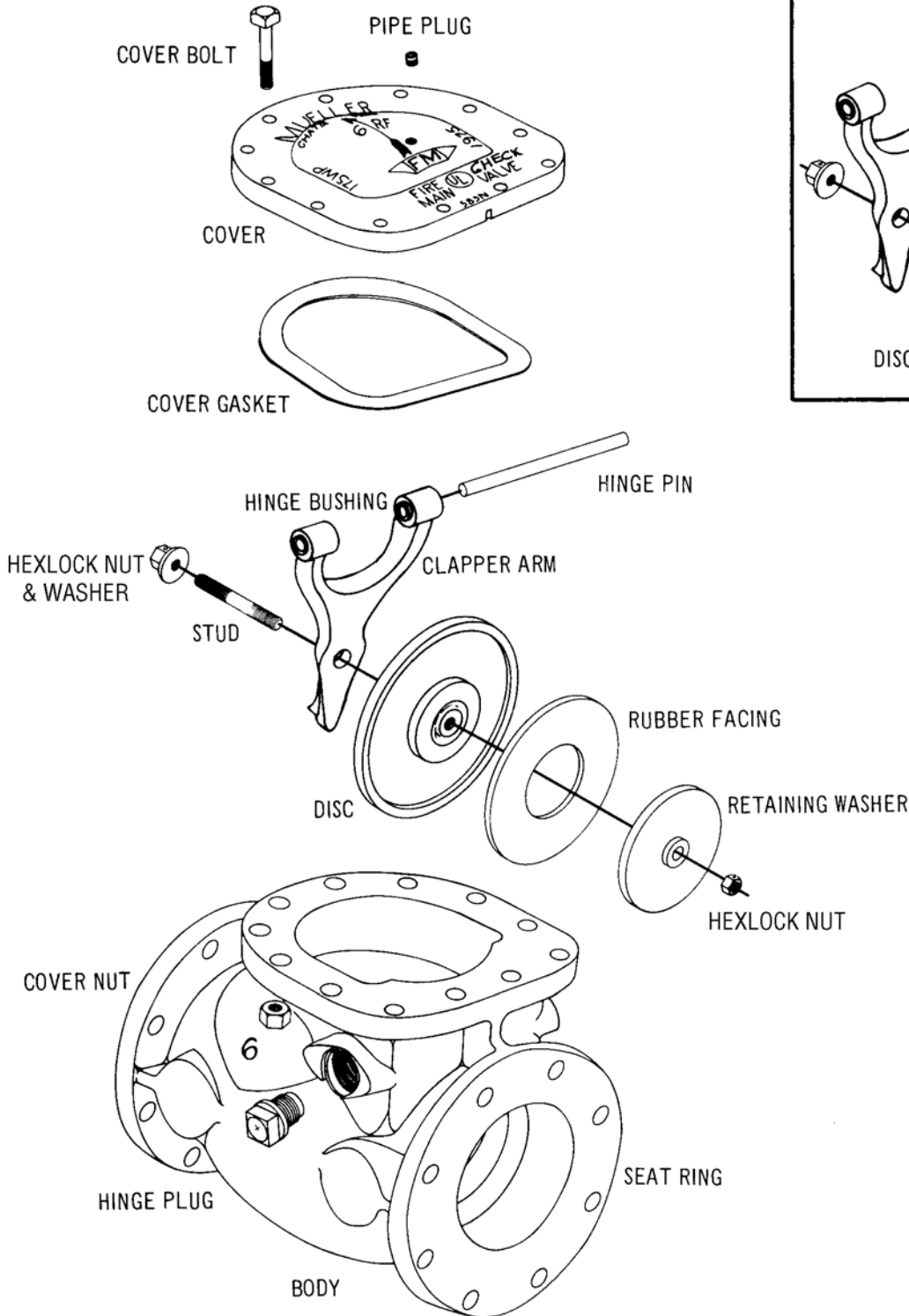
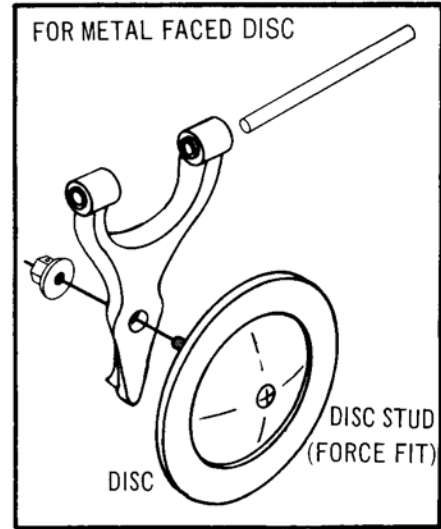
Shaded area indicates change

**2010 & PRIOR
SWING CHECK VALVES
REPLACEMENT PARTS**



UL / FM

FIRE PROTECTION PRODUCTS



CHECK VALVE ORDERING INFORMATION- Specify: Quantity, Size, and Catalog Number

CHECK VALVE PARTS ORDERING INFORMATION - Specify: Quantity, Catalog Number, Part Name, Size of Valve, Catalog Number of Valve, and Year Date of Valve

UL / FM



SECTION
C-1

FIRE PROTECTION PRODUCTS

**DETECTOR
CHECK VALVES**

Rev. 11-17

Shaded area indicates change

DETECTOR CHECK VALVES ARE AVAILABLE THROUGH MUELLER SYSTEMS

10210 Statesville Blvd., P.O. Box 128, Cleveland, NC 27013

Phone: (800) 323-8584, Fax: (704) 278-9616

SECTION
C-1

Rev. 11-17

Shaded area indicates change

SWING CHECK VALVES

Mueller Co.
Reliable Connections™

UL / FM

FIRE PROTECTION PRODUCTS

Mueller Co.

Reliable Connections™

www.muellercompany.com • moreinfo@muellercompany.com